

Factory Display Camera Harness for Chrysler Town & Country, Dodge Durango, Grand Caravan, & Ram Tradesman, Jeep Commander, Grand Cherokee and Wrangler Factory Displays (Kit part number 9002-2632)

NOTE: Requires Chrysler/Dodge dealer to activate; see below

Applications: 2011 – current Chrysler Town & Country (RBZ, RHB, RER, REZ, RBZ, REW radios)
2011 – current Dodge Durango (RHR, RHB, RHZ, RHP radios)
2011 – current Dodge Grand Caravan (RBZ, RHB, RER, REZ, RBZ, REW radios)
2011 – current Dodge Ram Tradesman (RBZ, RHB, RER, REZ, RBZ, REW radios)
2008 – 2010 Jeep Commander (430, 730 radios)
2008 – current Jeep Grand Cherokee (430, 730, RHR, RHB, RB2, RHP radios)
2007 – current Jeep Wrangler (display radios)

Please read thoroughly before starting installation and check that kit contents are complete.

Items Included in the Kit:

Factory Display RCA Jumper Harness
Loose red and black wires (if needed)
White 22-pin Connector
These Instructions

Tools & Supplies Needed:

Delphi Terminal Removal Tool #12094429 or
Small Flat Watch Repair Screwdriver
10mm Socket
Plastic Trim Removal Tool
Vehicle Service Manual (If needed)

Safety Precautions:

- Work in well ventilated area that is clear of obstructions.
- Secure vehicle with tire chucks in both front and rear of tires.
- Turn vehicle accessories OFF and ensure ignition key is in OFF position.
- Wear safety goggles and snug fitting clothes.
- Use tools only for their intended purpose and which are in good repair.
- Only perform this task if confidence, skill, and physical ability permit.

NOTE: We strive to provide accurate and up-to-date installation instructions. For the latest full color instructions, as well as an installation video, please visit www.brandmotion.com

IMPORTANT: Use of this camera with the factory display requires activation by a Chrysler/Dodge dealer. See below for Dealer Programming Instructions. If possible, have the dealer "enable" the camera option prior to installation.

INSTALLATION INSTRUCTIONS

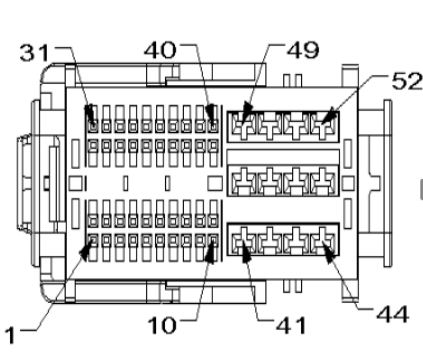
Step 1: Use a Plastic Trim Removal Tool to remove console and dash trim pieces to gain access to the radio bezel.

Step 2: Use a Plastic Trim Removal Tool to remove radio bezel.

Step 3: Unplug all radio connectors from the radio head unit and set radio aside.

Only complete Step 4 and 5 for 2014+ Dodge Durango, Jeep Grand Cherokee, RAM Truck vehicles with 52-pin radio connectors.

Step 4: Insert terminal from red wire on supplied jumper harness into position 31 of black 52-pin radio connector and insert terminal from black wire on supplied chassis harness into position 32 of black 52-pin radio connector.



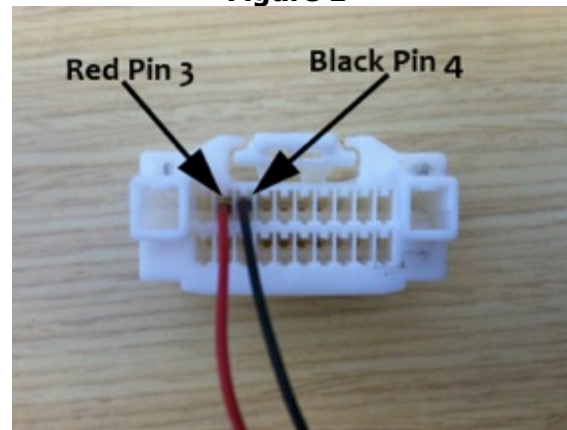
Step 5: Connect male RCA of camera into female RCA of jumper harness and proceed to the Dealer Programming Instructions (Included).

Continue with steps 6 through 9 for vehicles with 22-pin radio connector.

IMPORTANT: If the White 22-pin connector is present in the vehicle and Pin 3 and/or Pin 4 are already populated, remove the terminal(s) using Delphi Terminal Removal Tool #12094429 or a Small Flat Watch Repair Screwdriver and isolate with Electrical Tape.

Step 6: Remove both terminals from chassis harness. Splice provided loose red wire to chassis harness red wire and insert terminal into pin position 3 on the white 22-pin radio connector (Figure 1) until it clicks securely.

Figure 1



Step 7: Splice provided loose black wire to chassis harness black wire and insert terminal into pin position 4 on the white 22-pin radio connector (Figure 1) until it clicks securely.

Step 8: Connect White 22-pin Connector to radio along with all remaining radio connectors before reinstalling radio head unit and all trim removed.

Step 9: Connect male RCA of camera into female RCA of jumper harness and proceed to the Dealer Programming Instructions (Included).

Dealer Programming Instructions

PARK VIEW REAR BACK-UP CAMERA VEHICLE CONFIGURATION

Vehicle VIN must be updated with the sales code of the added accessory in order to enable system functionality. Using the DealerCONNECT website and the scan tool, complete the procedure below:

- A. Log on to <https://dealerconnect.chrysler.com>
- B. In the "Vehicle Option" screen under "Global Claims System" category in the "Service" tab, enter the VIN and add the following sales code: XAC (PARK VIEW REAR BACK-UP CAMERA) as a "Dealer Installed Option."
- C. Confirm that the new sales code has been successfully added to the VIN. With the scan tool connected to both the internet (via Ethernet port or wireless connection) and the vehicle, perform the following steps:
- D. Using the scan tool, select VEHICLE PREPARATION and then select RESTORE VEHICLE CONFIGURATION.
- E. Follow the step by step instructions on the scan tool to complete the Park View Rear Back-Up Camera vehicle configuration.

Step 23: Start vehicle and shift into Reverse in order to check that all connections were made properly. If all of the connections are correct you will see the camera image displayed on your factory display.