



Instructions for Billet Alternator Brackets

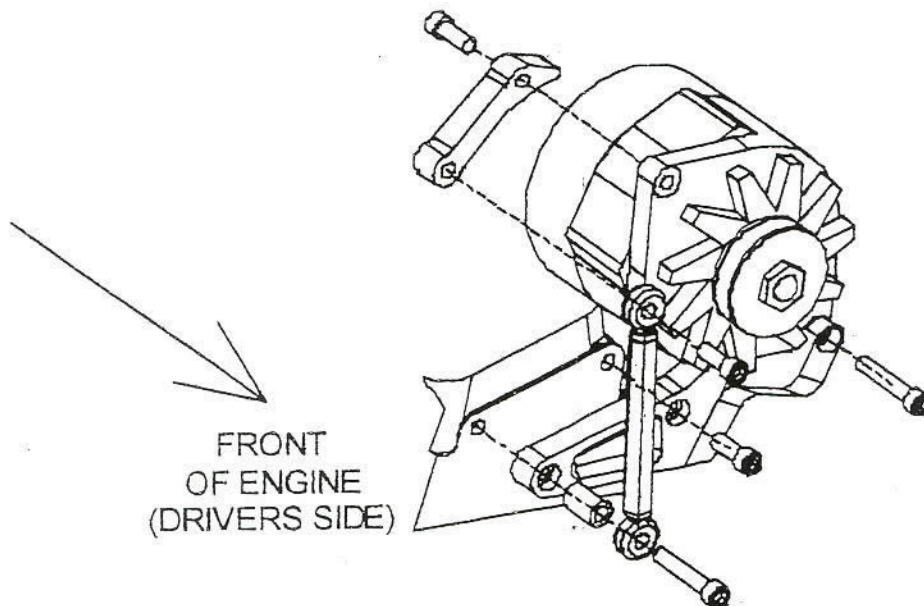
SME-2001 and SME-2026

Please read all instructions before installation.

Thanks for purchasing one of our Billet Alternator Bracket sets. Designed for short water pump applications only, they are easily adjustable and look much better on your engine than an OE style bracket. The installation is very simple. Just remove your existing alternator brackets and follow the drawing below. Be sure to apply a light grease to the turnbuckle threads and rod ends prior to installation. This will ensure smooth adjustment. To adjust, simply turn the turnbuckle with a 5/8" wrench to get the desired amount of belt tension, then tighten the jam nuts with a 9/16" wrench to secure the setting. A 53" belt works well for most applications.

Note: By design, all turnbuckles must have both right and left hand threads. Carefully screw the rod end/jam nut assemblies into the ends of the turnbuckle. Again, one will be right, one will be left. Do not force the threads into each other.

Assembly



Copyright 2001 Summit Racing Equipment 1200 Southeast Avenue, Tallmadge, OH, 44278

1-800-230-3030