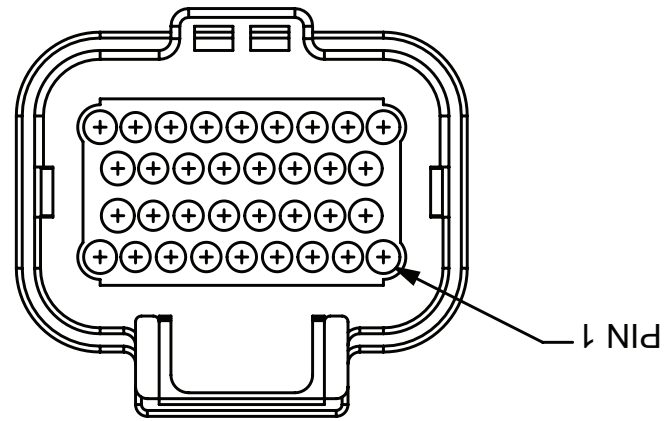


POSITION	COLOR	FUNCTION
1	RED	VBAT
2	BLUE/WHITE	LEFT TURN
3	GREEN/WHITE	RIGHT TURN
4	WHITE	PARKING BRAKE
5	BROWN	HIGH BEAM
6	LT. GREEN	LOW BEAM
7	NOT USED	NO CONNECT
8	ORANGE/WHITE	SHIFT LIGHT
9	YELLOW	TACHOMETER
10	NOT USED	NO CONNECT
11	NOT USED	5V OUT
12	NOT USED	GROUND
13	TAN	OIL PRESSURE
14	NOT USED	5V OUT
15	NOT USED	GROUND
16	GREEN	OIL TEMPERATURE
17	YELLOW	CAN HI
18	VIOLET/WHITE	COOLING FAN
19	NOT USED	5V OUT
20	NOT USED	GROUND
21	BLUE	FUEL LEVEL
22	NOT USED	5V OUT
23	NOT USED	GROUND
24	GRAY	COOLANT TEMP
25	GREEN	CAN LO
26	BLACK	GROUND
27	NOT USED	GROUND
28	NOT USED	GROUND
29	GRAY/WHITE	REMOTE SWITCH 2
30	BROWN/WHITE	REMOTE SWITCH 1
31	NOT USED	12V OUT
32	VIOLET	SPEEDOMETER
33	NOT USED	GROUND
34	ORANGE/YELLOW	WARNING LIGHT



Once the connections to the wiring harness are made and the unit is installed using the 3 mounting posts provided, the IQ3s dash is ready to use. If you would like to change the layout of the preprogrammed display pages, or have additional sensors you wish to add, please refer to steps 3-6 in this guide.

2. WIRING DIAGRAM



30402 ESPERANZA • RANCHO SANTA MARGARITA • CA 92688
949.709.5555 / WWW.RACEPAK.COM/IQ3S



WHAT'S IN THE BOX

- IQ3s Street Dash
- V-Net Terminator Cap (Installed on Dash)
- Wiring Harness
- Oil Pressure Sensor
- Coolant Temperature Sensor
- Transmission Temperature Sensor
- USB Programming Cable
- USB Memory Stick

Product Number: 250-DS-IQ3S
Tech Line: 949.709.5555
Website: www.racepak.com/iq3s

POWER REQUIREMENTS: 12-18 VOLTS



- A. V-Net Connector
- B. Deutsch Connector
- C. USB Connection
- D. Mounting Holes

1. DASH CONNECTION OVERVIEW

QUICKSTART GUIDE

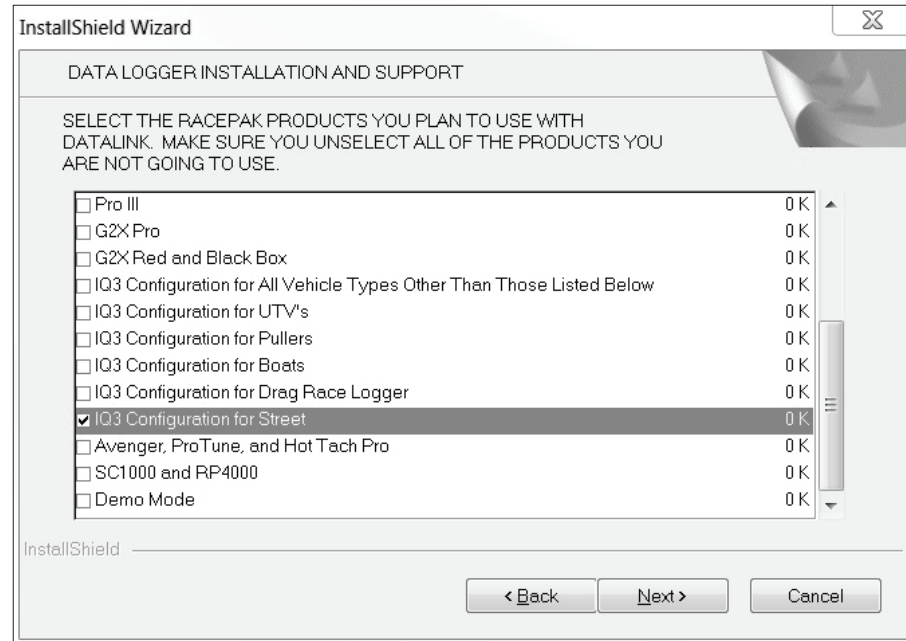


3. INSTALLING THE SOFTWARE

Your dash comes preconfigured from the factory with a basic display layout. Using the Racepak DataLink II software, you can modify the four programmable displays. You can also use the software to add additional sensors and modules to your dash.

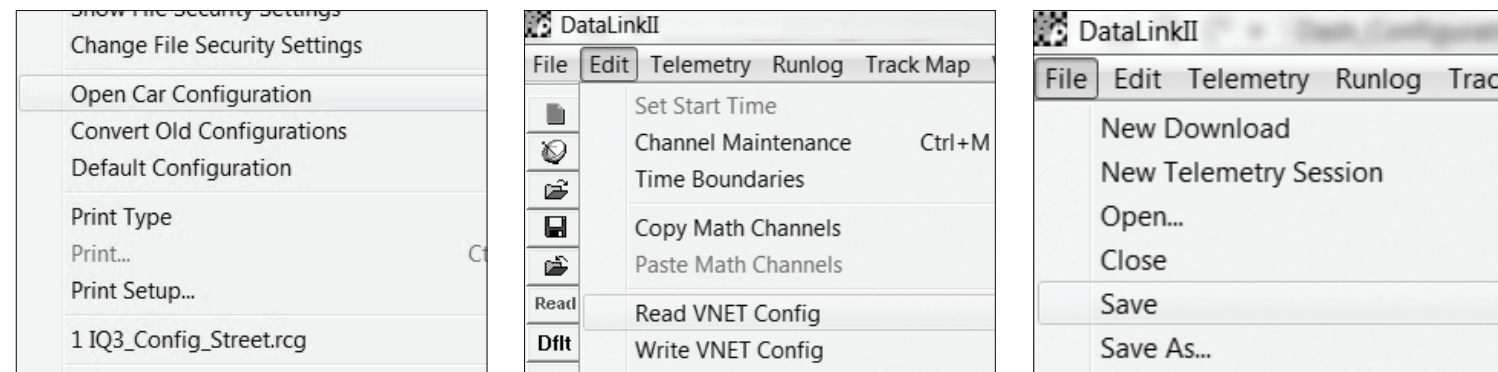
Install the Racepak DataLink software (located on the USB memory stick that came with the kit)

Be sure to select IQ3 Configuration for Street during the installation process.



5. ADDING OPTIONAL V-NET SENSORS

When installing new sensors or items on the V-Net system, you must update/sync the configuration file in your PC to insure that any changes and/or updates performed on your Racepak system will properly take effect. Carefully follow the instructions below to perform the configuration update.

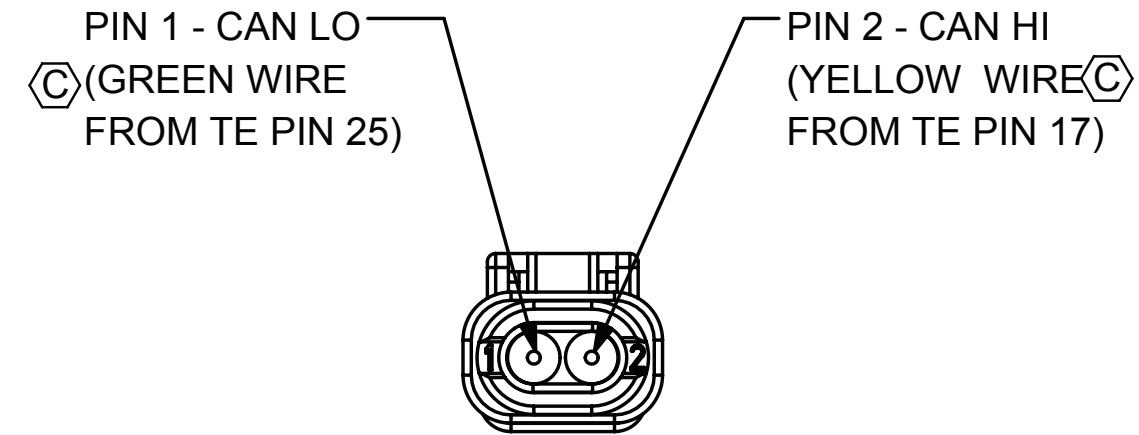


1. Start the DataLink software.
2. Connect the programming cable between the Racepak IQ3s in the car and your PC.
3. Apply power to the Racepak IQ3s.
4. If the IQ3_Street_Config is not already loaded, select File from the menu bar then select Open Car Configuration. Select the IQ3_Street_Config and click on the OK button.
5. Select Edit from the menu bar then select Read VNET Config. You may also use the 'READ' button in the toolbar which appears on the left side of your screen.
6. The message log will appear and your configuration will begin to update. Click on the OK button when you see the message "Devices Read Successfully". If you receive an error at the beginning of this step, verify that you are set on the COM port that matches the port that the cable is installed on.
7. Select File from the menu bar and select Save. This insures that the changes performed are saved into the configuration file on your PC.
8. Programming is now complete. Turn off the power to the IQ3s and disconnect the programming cable.

4. OBDII AND EFI INTERFACE

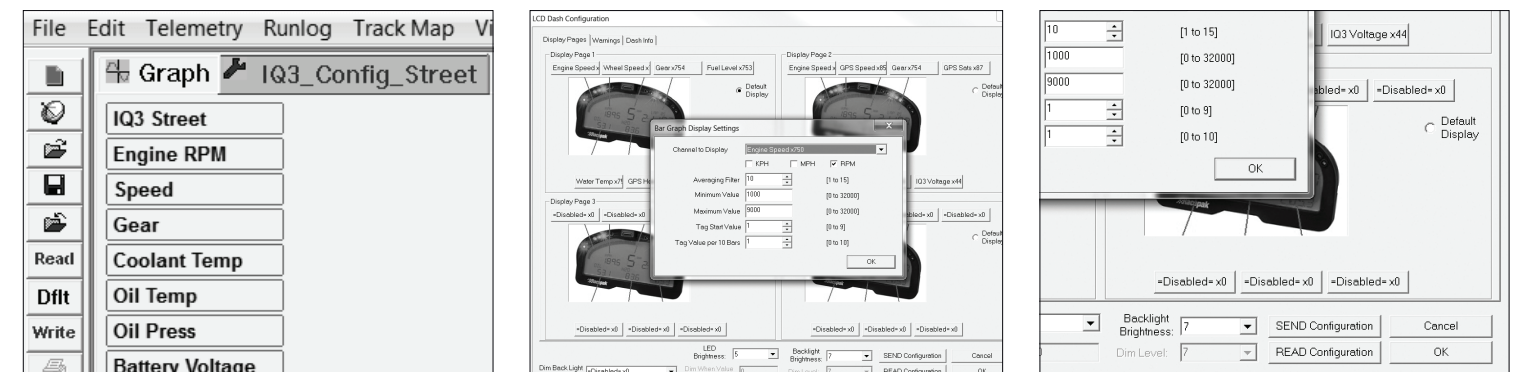
There are two (2) wires found in the rear main connector used for the OBD II and EFI interface connections. A two (2) pin Deutsch connector is connected to the following wires:

Main connector Pin 17 = Yellow = Can High
Main connector Pin 26 = Green = Can Low



Please consult the IQ3s manual located on the USB memory stick that came with your IQ3 dash for a complete list of ECU adapter cables and information on programming the dash for use with the OBD II or EFI interface. You can also view this manual online at: <http://www.racepak.com/downloads>.

6. CONFIGURING YOUR DASH



1. Using the IQ3_Street_Config file from Step 5, right-click on IQ3 Street.
2. Select box representing desired location.
3. Select ID to be displayed.
4. Set decimal point and 5 character label tag.
5. Click OK.
6. Click Send Configuration. When done programming your dash, close the Racepak software and save changes to the IQ3 configuration file when prompted. You may also choose to save the file by selecting File from the menu bar and then selecting Save.