



Installation Instructions for 1975 – 81 GM F-Bodies (770316, 770317, 770318)

Safety First:

~A commercial automotive lift is recommended for under car installations.

~Never work under a car supported by jacks or other unstable lifting devices.

~If a commercial lift is not available, always support the car at all four corners of the frame with jack stands or other stable holding devices.

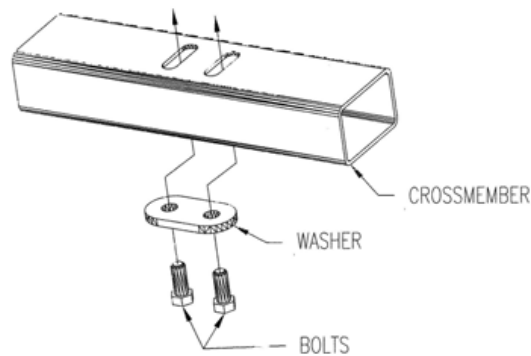
SAFETY GLASSES ARE HIGHLY RECOMMENDED (metal chips, falling dirt and rust hazard to eyes.)

Important Notes:

- 1) This crossmember is installed with the manufacturer's label facing the rear of the vehicle. A second determining feature is the crossmember's center tube has a 1/2" drain slot located on the bottom and is toward the passenger side.
- 2) The crossmember is installed so that the exhaust clearance humps are closed on the top and open on the bottom.
- 3) To utilize the provided 7/16 hardware, it is necessary to enlarge the holes in the frame rails with a 1/2" drill. If the installer chooses to use the stock size 3/8" hardware, it is strongly recommended that the installer obtain grade 8 fasteners to compensate.

Installation:

- ~Support transmission with a suitable lifting device. Do not crush pan, the pickup screen is very close to the pan.
- ~Remove transmission mount bolt/stud. (Some vehicles are equipped with one, while others with two.)
- ~Remove (4) crossmember bolts.
- ~Remove speedometer cable from crossmember.
- ~Remove OEM crossmember – lift transmission if needed.
- ~Discard (2) rubber isolators at ends of crossmember if equipped. They will not be reused.
- ~A new transmission mount is recommended. Use the centered type only. Offset mounts will not fit.
- ~Remove sand, debris, and rust from inside frame rails. The new part should be mounted on clean surfaces.
- ~This is also the perfect opportunity to clean and detail the undercarriage.
- ~Install (4) 7/16" bolts at crossmember ends thru frame rails.
- ~Install transmission mount bolt/stud.
- ~FOR SLOTTED TUBE CROSSMEMBERS- The special reinforcement plate installs inside the crossmember center tube with the transmission mount bolts installed first through the reinforcement plate, then through the crossmember center tube and tightened into the transmission mount. Longer bolts may be required.



- ~Recheck all bolts.
- ~Installation complete.

Summit Racing Equipment
1200 Southeast Ave., Tallmadge, OH 44278
800-230-3030

Made in U.S.A.
Printed in U.S.A.
www.summitracing.com